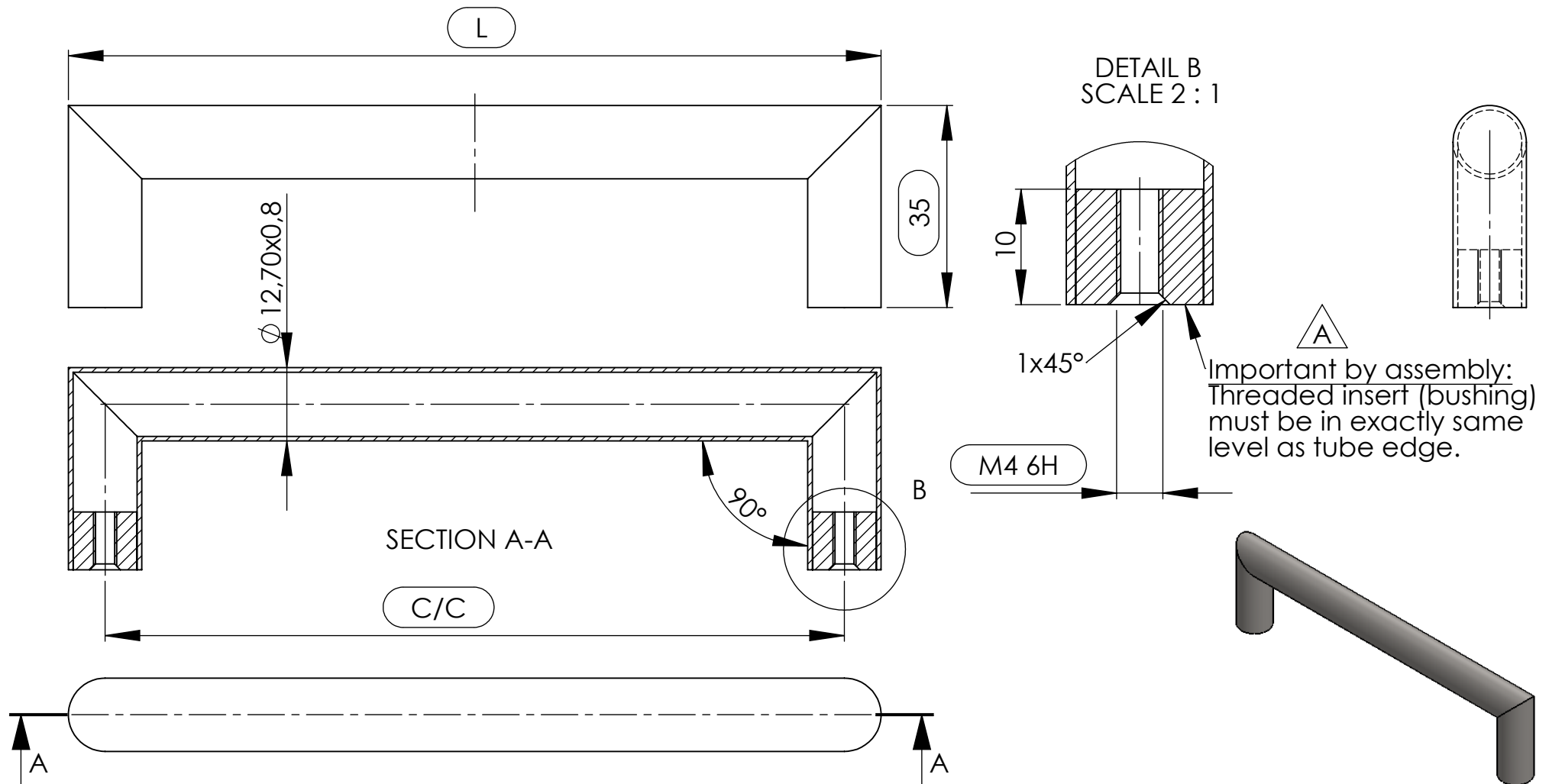


PART NO.	C/C	L
220133096-2535	96	108.7
220133128-2535	128	140.7
220133160-2535	160	172.7
220133163-2535	163	175.7
220133192-2535	192	204.7
220133224-2535	224	236.7
220133256-2535	256	268.7
220133288-2535	288	300.7
220133320-2535	320	332.7
220133338-2535	338	350.7
220133352-2535	352	364.7
220133384-2535	384	396.7
220133388-2535	388	400.7
220133416-2535	416	428.7
220133438-2535	438	450.7
220133448-2535	448	460.7
220133480-2535	480	492.7
220133488-2535	488	500.7
220133512-2535	512	524.7
220133640-2535	640	652.7
220133672-2535	672	684.7
220133736-2535	736	748.7
220133788-2535	788	800.7
220133832-2535	832	844.7
220133988-2535	988	1000.7

Rev.:	Date:	Name:	Description:
B	11-11-2012	PS	Part no. changed from 220134xxx-25 to 220133xxx-2535
A	29-06-2012	PS	Assembly of threaded insert

Part name: ANGLE	Projection: 	Sheet format: A4	Tolerance unless otherwise specified DS/ISO 2768-1M Linear dimensions: <table border="1"><tr><td>0-3</td><td>3-6</td><td>6-30</td><td>30-120</td><td>120-400</td><td>400-1000</td><td>1000-2000</td></tr><tr><td>± 0.1</td><td>± 0.1</td><td>± 0.2</td><td>± 0.3</td><td>± 0.5</td><td>± 0.8</td><td>± 1.2</td></tr></table>	0-3	3-6	6-30	30-120	120-400	400-1000	1000-2000	± 0.1	± 0.1	± 0.2	± 0.3	± 0.5	± 0.8	± 1.2
0-3	3-6	6-30		30-120	120-400	400-1000	1000-2000										
± 0.1	± 0.1	± 0.2	± 0.3	± 0.5	± 0.8	± 1.2											
Customer:	Drawn by: ps date 11. november 2012	Scale: 1:1	<table border="1"><tr><td>Angle</td><td>Radius</td><td></td><td></td></tr><tr><td>± 0.5°</td><td>± 5%</td><td></td><td></td></tr></table>	Angle	Radius			± 0.5°	± 5%								
Angle	Radius																
± 0.5°	± 5%																
Part no.: 220133xxx-2535	Page 1 of 2	furnipart® Delta 2 Phone: +45 87 64 35 00 DK-8382 Hinnerup Fax: +45 87 64 35 01															
Material: AISI 304	Weight: 58,07 grams																



Part name: ANGLE	Projection: 	Sheet format: A4	Tolerance unless otherwise specified DS/ISO 2768-1M																			
Customer:	Drawn by: ps date 11. november 2012	Scale: 1:1	<table border="1"> <tr> <td>Linear dimensions:</td> <td>0-3</td> <td>3-6</td> <td>6-30</td> <td>30-120</td> <td>120-400</td> <td>400-1000</td> <td>1000-2000</td> </tr> <tr> <td></td> <td>± 0.1</td> <td>± 0.1</td> <td>± 0.2</td> <td>± 0.3</td> <td>± 0.5</td> <td>± 0.8</td> <td>± 1.2</td> </tr> </table>				Linear dimensions:	0-3	3-6	6-30	30-120	120-400	400-1000	1000-2000		± 0.1	± 0.1	± 0.2	± 0.3	± 0.5	± 0.8	± 1.2
Linear dimensions:	0-3	3-6	6-30	30-120	120-400	400-1000	1000-2000															
	± 0.1	± 0.1	± 0.2	± 0.3	± 0.5	± 0.8	± 1.2															
Part no.: 220133xxx-2535	Page 2 of 2	<table border="1"> <tr> <td>Angle</td> <td>Radius</td> <td></td> <td></td> </tr> <tr> <td>± 0.5°</td> <td>± 5%</td> <td></td> <td></td> </tr> </table>					Angle	Radius			± 0.5°	± 5%										
Angle	Radius																					
± 0.5°	± 5%																					
Material: AISI 304	Weight: 58,07 grams																					
Rev.: B A	Date: 11-11-2012 29-06-2012						Name: PS PS	Description: Part no. changed from 220134xxx-25 to 220133xxx-2535 Assembly of threaded insert														
Delta 2 DK-8382 Hinnerup		Phone: +45 87 64 35 00 Fax: +45 87 64 35 01																				